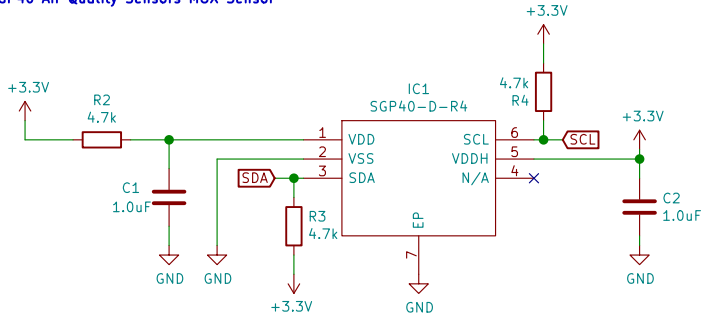
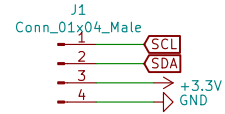


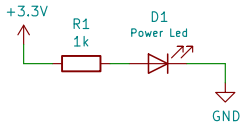
SGP40 Air Quality Sensors MOX Sensor



Connector



Power LED Indicator



SGP40 Air Quality Sensors MOX Sensor Breakout Board

Sheet: /
File: SGP40 Breakout.sch

Title:

Size: User Date:
KiCad E.D.A. kicad (5.1.5)-3

Rev:
Id: 1/1